



FFD200-12

[Group Size: 4D]

Deep Cycle Sealed
Maintenance-Free
AGM Battery

SPECIFICATIONS

Nominal Voltage		12 Volt
Rated Capacity (20 hour rate)		200AH
Dimensions	Total Height (including terminals)	8.62" (219mm)
	Height	8.54" (217mm)
	Length	20.94" (532mm)
	Width	8.15" (207mm)
Weight		126.28 lbs (57.4 kg)

CHARACTERISTICS

Capacity 77°F (25°C)	20 Hour Rate (10A to 10.5 Volts)	200AH
	10 Hour Rate (16.2A to 10.5 Volts)	162AH
	5 Hour Rate (29A to 10.5 Volts)	145AH
	1 Hour Rate (106.5A to 10.02 Volts)	106.5AH
	30 Min. Rate (180A to 10.02 Volts)	90AH
Internal Resistance Full charged Battery 77°F (25°C)		2.5m Ω
Max. Discharge Current 77°F (25°C)		1840A (5s)
Terminal Standard	LT/Flag	
Charging (Constant Voltage)	Cycle	Max. Charge Current: 55.2A 14.2 V - 14.5 V/77°F (25°C)
	Float	13.5 V - 13.8 V/77°F (25°C)

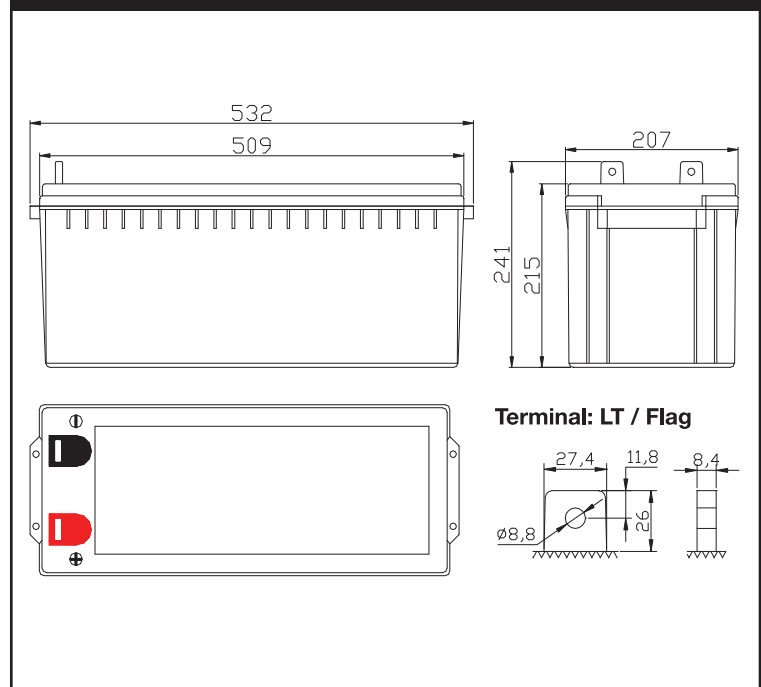
CRANKING

CA 32°F	CCA 0°F
1670	1380

RESERVE CAPACITY

@25 AMPS	@75 AMPS
385 Min.	94 Min.

SIZE & DETAILED ILLUSTRATION



CURRENT & WATTAGE CAPACITY @77°F (25°C)

Final Voltage	Time (Mins)											
		5	10	15	30	45	60	180	300	480	600	1200
9.6V	A	-	382.8	299.9	183.2	134	107.4	45	29.8	20	16.6	9.4
	W	-	4270	3334.3	2036	1510.1	1185.8	501.2	328.8	223.9	186.2	103.1
10.02V	A	-	368.7	289.4	180	132.2	106.5	44.7	29.6	19.9	16.5	9.4
	W	-	4110	3235.9	2000	1482.7	1170.6	497.4	326.7	222.6	185.2	102.8
10.2V	A	-	354	278.6	175.8	130.9	105.7	44.5	29.4	19.8	16.4	9.3
	W	-	3917.4	3118.9	1945.4	1463.2	1158	494	325.7	221.4	184.4	102.5
10.5V	A	-	328.3	267.7	171	128.1	103.7	43.9	29	19.5	16.2	10
	W	-	3701	2985.4	1897.7	1421	1135.7	488.9	322.2	219.6	182.9	101.8
10.8V	A	-	295	248.9	164.8	124.7	101.4	43	28.6	19.3	16	9.1
	W	-	3365.1	2779.7	1824.7	1380.4	1104.1	481.9	317	216.8	180.7	100.8

This information is generally descriptive only and is not intended to make or imply any representation, guarantee or warranty with respect to any cells and batteries. Cell and battery designs/specifications are subject to modifications without notice. Contact us for the latest model information.