



FFD260-12

(Group Size: 8D)

Deep Cycle Sealed
Maintenance-Free
AGM Battery

SPECIFICATIONS

Nominal Voltage		12 Volt
Rated Capacity (20 hour rate)		260AH
Dimensions	Total Height (including terminals)	8.74" (222mm)
	Height	8.66" (220mm)
	Length	20.47" (520mm)
	Width	10.55" (268mm)
Weight		163.02 lbs (74.1 kg)

CHARACTERISTICS

Capacity 77°F (25°C)	20 Hour Rate (13A to 10.5 Volts)	260AH
	10 Hour Rate (21.4A to 10.5 Volts)	214AH
	5 Hour Rate (39.4A to 10.5 Volts)	197AH
	1 Hour Rate (150A to 10.02 Volts)	150AH
	30 Min. Rate (256A to 10.02 Volts)	128AH
Internal Resistance Full charged Battery 77°F (25°C)		2.3m Ω
Max. Discharge Current 77°F (25°C)		2350A (5s)
Terminal Standard	LT/Flag	
Charging Cycle (Constant Voltage)	Cycle	Max. Charge Current: 70.5A 14.2 V - 14.5 V/77°F (25°C)
	Float	13.5 V - 13.8 V/77°F (25°C)

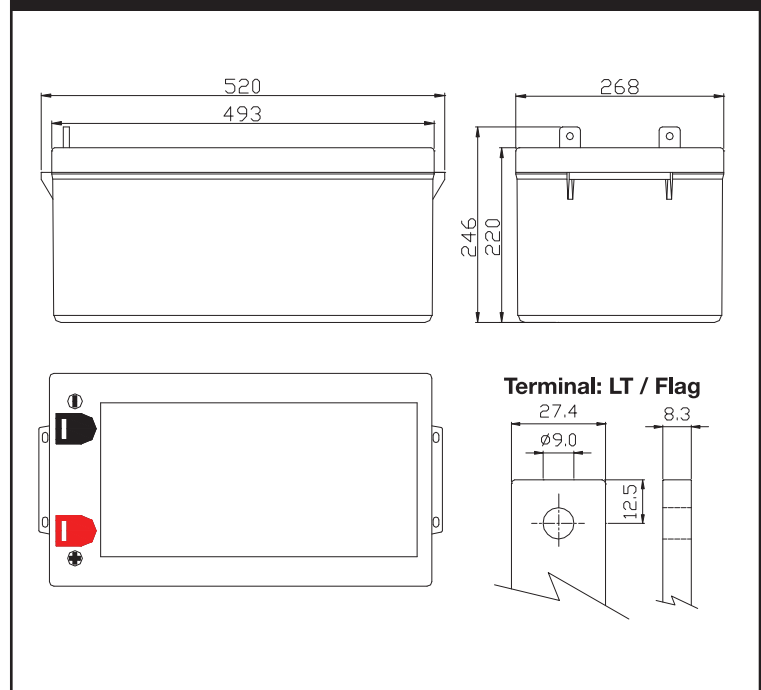
CRANKING

CA 32°F	CCA 0°F
1725	1440

RESERVE CAPACITY

@25 AMPS	@75 AMPS
545 Min.	134 Min.

SIZE & DETAILED ILLUSTRATION



CURRENT & WATTAGE CAPACITY @77°F (25°C)

Final Voltage	Time (Mins)											
		5	10	15	30	45	60	180	300	480	600	1200
9.6V	A	-	523.9	420	264.2	193.6	152.8	45	62.2	26.8	21.98	11.98
	W	-	5768	4764.3	3054.9	2254.6	1786.5	501.2	712.9	308.3	256.5	137.4
10.02V	A	-	505.8	408.3	256	187.1	150	44.7	61.8	26.7	21.8	11.92
	W	-	5600	4626	2995	2215	1759.2	497.4	709.8	306.4	252.1	136.7
10.2V	A	-	482.9	391.7	248.1	183.3	147.4	44.5	61.3	26.5	21.65	11.86
	W	-	5419	4496	2918	2174	1730.8	494	705.4	304.5	250.7	136.1
10.5V	A	-	453.7	369	237.8	176.9	143.6	43.9	60.5	26.2	21.4	13
	W	-	5154	4286	2808	2100	1683.4	488.9	698	302	248.3	135
10.8V	A	-	422.9	344.5	226.5	170.2	139	43	59.4	25.8	21.04	11.59
	W	-	4852.1	4053.5	2685.3	2009.1	1629.3	481.9	688.7	299.2	245.5	133.6

This information is generally descriptive only and is not intended to make or imply any representation, guarantee or warranty with respect to any cells and batteries. Cell and battery designs/specifications are subject to modifications without notice. Contact us for the latest model information.